

Series
VENTS VUT 160 V EC
VENTS VUT 350 VB EC
VENTS VUT 550 VB EC



Air handling unit in heat- and sound-insulated casing.
 Air capacity up to **700 m³/h**,
 heat recovery efficiency up to 98 %

■ **Description**

The air-handling units are the fully featured ventilation units with heat recovery for air filtration, fresh air supply and stale air extract. The heat contained in the extract air is recuperated in the high-efficient plate counter-flow heat exchanger to warm up supply air. The units are designed for energy efficient ventilation of cottages and flats and are compatible with round air ducts.

■ **Casing**

Made of high-quality polymer coated steel sandwich, internally filled with 20 mm mineral wool heat- and sound-insulating layer.

■ **Filter**

Supply and exhaust airflows are purified through panel filters with filtering class G4. A replaceable filter with filtering class F7 is optionally available.

■ **Fans**

High efficient electronically commutated motors

with external motor and impeller with backward curved blades. Such motors are the most state-of-the-art energy saving solution. EC motors are featured with high performance and total speed controllable range. High efficiency reaching 90% is the premium advantage of the electronically commutated motors.

■ **Heat exchanger**

Counter-flow polystyrene heat exchangers with high heat recovery efficiency. The drain pan under the heat exchanger block ensures condensate removal. In case of freezing danger determined by the temperature sensor, the supply fan is turned off for the period required for the heat exchanger defrosting. The heat exchanger is easily removed for cleaning.

■ **Bypass**

The **VUT 350 & 550 VB EC** units are equipped with a 100 % bypass which can be opened if there is a need to cool down the ventilated area with cool intake air.

■ **Control and automation**

The unit includes integrated automation. The heat exchanger freezing protection operates as follows: In case of freezing danger determined by the temperature sensor the supply fan is turned off to let extract air warm up the heat exchanger. After freezing danger is no longer imminent, the unit reverts to the standard operation mode.

Delivery set includes a multifunctional control panel and a 10 m long signaling cable.

■ **Sensor control panel (A14)**

The **VUT V 160 EC A14**, **VUT VB 350 A14** and **VUT 550 VB EC A14** units are equipped with A14 sensor control panel with LED indication and following functions:



- Speed selection: Off, Low, Medium or High;
- Manual opening and closing of the bypass damper;
- Filter maintenance indication and resetting of the maintenance timer;
- Fault indication.



The **VUT V 160 EC A14**, **VUT VB 350 A14** and **VUT 550 VB EC A14** units can be connected to the PC by means of USB cable. Special software gives following possibilities:

- Software update of the unit;
- Adjusting of the Off, Low, Medium or High speed modes from 0 to 100 % for supply and exhaust fans separately;
- Adjustment of the humidity level and the speed activated by optional humidity sensor HV2;
- Adjustment of the speed activated by the optional external relay;
- Adjustment of the temperature of activation of freezing protection;
- Adjustment of filter maintenance timer;
- Monitoring of the maintenance timer, humidity level, external relay, and bypass;
- Error code indication.

■ **PU SENS 01 control panel (A11)**

The **VUT V 160 EC A11**, **VUT VB 350 A11** and **VUT 550 VB EC A11** units are equipped with touch-screen LCD control panel PU SENS 01 with following functions:



- Turning unit on/off;
- Low-medium-high speed selection and adjustment from 0 up to 100% for supply and exhaust fans separately;
- Manual or automatic opening/closing of the bypass for summer ventilation;
- Timer;
- Week scheduled;
- Actuating external air dampers;
- Indication, adjustment and maintaining set room or supply air temperature;
- Control according to the optional duct humidity sensor HV1 feedback or according to the humidity sensor built-in the control panel;
- Filter clogging control by motor hours;
- Ventilation system shutdown at signal from the fire alarm system;
- Cooler connection possibility.

Designation key:

Series	Rated air capacity [m ³ /h]	Duct connection	Bypass	Motor type	Control
VENTS VUT	160; 350; 550	V – vertical	– – no bypass; B – bypass	EC – synchronous electronically commutated motor	A11 – PU SENS 01 control panel; A14 – sensor control panel

Accessories



page 346 page 346 page 408 page 413 page 421 page 458 page 458 Duct humidity sensor HV1 Duct humidity sensor HV2

■ Mounting

The units are designed for the wall mounting. Ac-

cess for the unit servicing and filter maintenance on the front panel side. During mounting stage, service

panel can be installed on the left or right side of the unit along the supply airflow path.

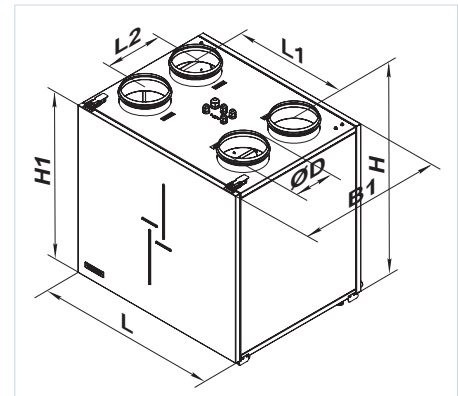
Technical data:

	VUT 160 V EC	VUT 350 VB EC	VUT 550 VB EC
Voltage [V / Hz]	1~ 220-240 / 50-60		
Max. fan power [W]	51	166	333
Max. unit current [A]	0.4	1.3	2.3
Max. air capacity [m ³ /h]	180	415	700
RPM	3770	3200	3230
Sound pressure level at 3 m [dBA]	44	51	55
Transported air temperature [°C]	-25 up to +60		
Casing material	polymer coated steel		
Insulation	20 mm mineral wool		
Extract filter	G4		
Supply filter	G4 (F7*)		
Connected air duct diameter [mm]	Ø125	Ø160	Ø200
Weight [kg]	34	56	65
Heat recovery efficiency, %	88 up to 98	85 up to 98	81 up to 97
Heat exchanger type	counter-flow		
Heat exchanger material	polystyrene		

*option

Overall dimensions:

Type	Dimensions [mm]						
	Ø D	B1	H	H1	L	L1	L2
VUT 160 V EC	125	330	650	550	600	388	143
VUT 350 VB EC	160	544	732	629	687	426	220
VUT 550 VB EC	200	674	732	629	780	493	244

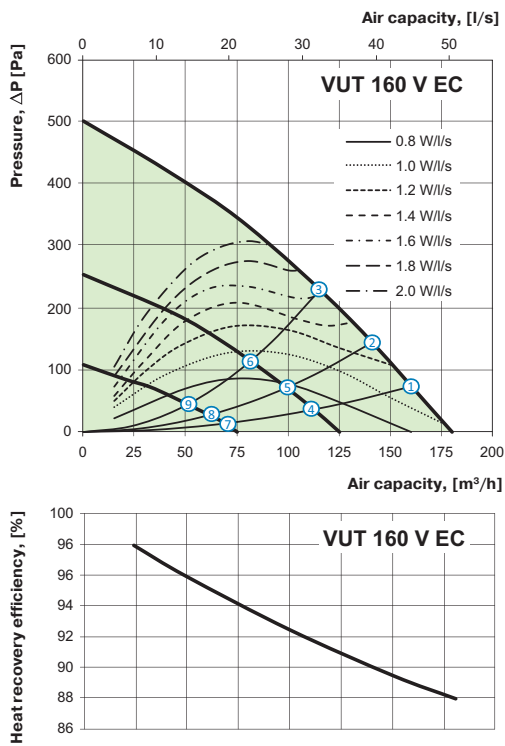


VENTS VUT
 HEAT RECOVERY AIR
 HANDLING UNITS
 160 V EC /
 350 VB EC /
 550 VB EC

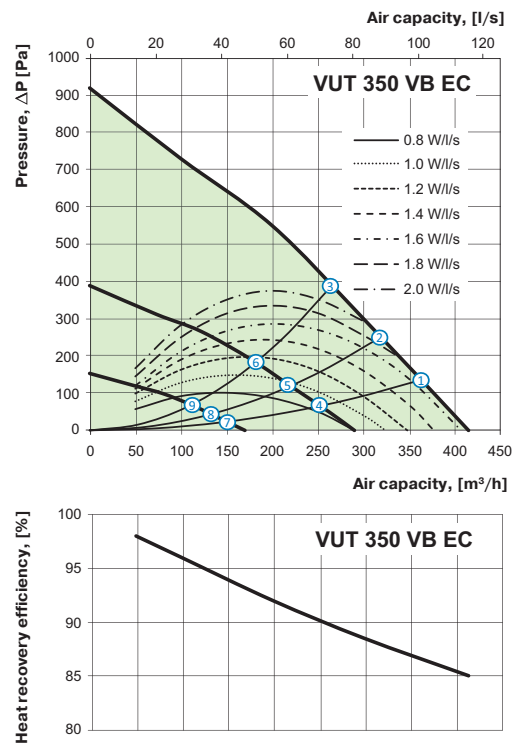
Air handling unit accessories:

Type	G4 replaceable panel filter	F7 replaceable panel filter	Duct humidity sensor	Siphon kit
VUT 160 V EC A14	SF VUT 160 V EC G4	SF VUT 160 V EC F7		
VUT 350 VB EC A14	SF VUT 350 VB EC G4	SF VUT 350 VB EC F7	HV2	
VUT 550 VB EC A14	SF VUT 550 VB EC G4	SF VUT 550 VB EC F7		
VUT 160 V EC A11	SF VUT 160 V EC G4	SF VUT 160 V EC F7		SH-32
VUT 350 VB EC A11	SF VUT 350 VB EC G4	SF VUT 350 VB EC F7	HV1	
VUT 550 VB EC A11	SF VUT 550 VB EC G4	SF VUT 550 VB EC F7		

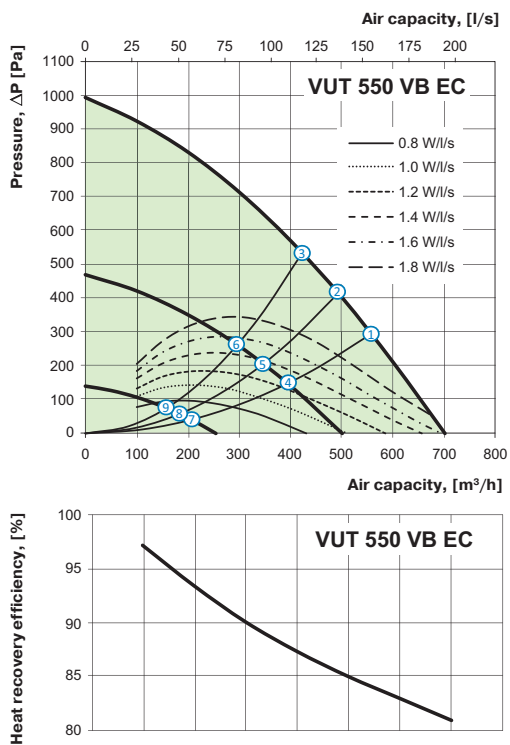
VENTS VUT 160 V EC



VENTS VUT 350 VB EC

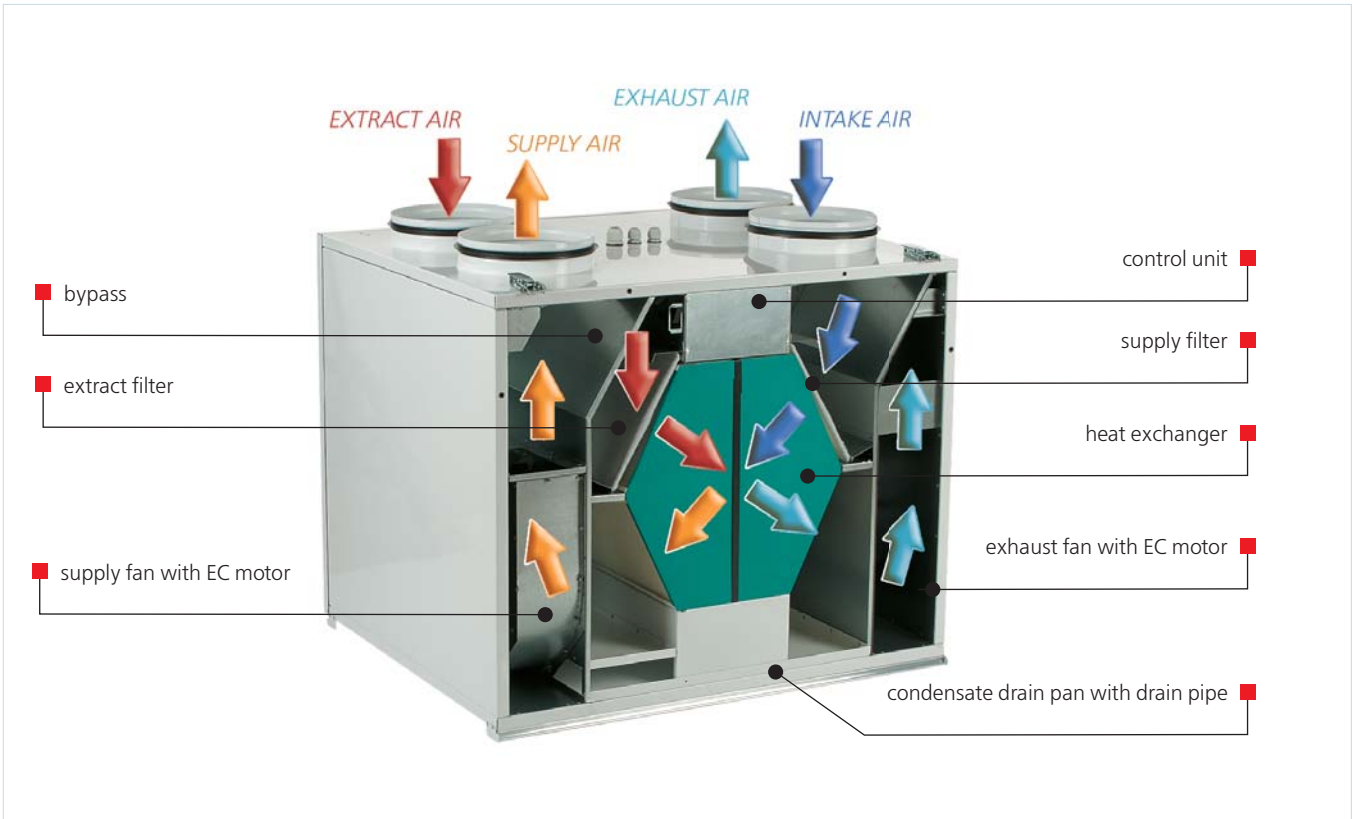


VENTS VUT 550 VB EC



Point	Power [W]		
	VUT 160 V EC	VUT 350 VB EC	VUT 550 VB EC
1	50	165	332
2	51	165	331
3	50	165	332
4	22	63	133
5	22	62	129
6	21	60	126
7	9	21	32
8	9	20	31
9	9	20	30

Unit design:



Application example:



VENTS VUT
160 V EC /
350 VB EC /
550 VB EC
HEAT RECOVERY AIR
HANDLING UNITS